

Архангельск (8182)63-90-72  
Астана (7172)727-132  
Астрахань (8512)99-46-04  
Барнаул (3852)73-04-60  
Белгород (4722)40-23-64  
Брянск (4832)59-03-52  
Владивосток (423)249-28-31  
Волгоград (844)278-03-48  
Вологда (8172)26-41-59  
Воронеж (473)204-51-73  
Екатеринбург (343)384-55-89  
Иваново (4932)77-34-06

Ижевск (3412)26-03-58  
Иркутск (395)279-98-46  
Казань (843)206-01-48  
Калининград (4012)72-03-81  
Калуга (4842)92-23-67  
Кемерово (3842)65-04-62  
Киров (8332)68-02-04  
Краснодар (861)203-40-90  
Красноярск (391)204-63-61  
Курск (4712)77-13-04  
Липецк (4742)52-20-81

Магнитогорск (3519)55-03-13  
Москва (495)268-04-70  
Мурманск (8152)59-64-93  
Набережные Челны (8552)20-53-41  
Нижегород (831)429-08-12  
Новокузнецк (3843)20-46-81  
Новосибирск (383)227-86-73  
Омск (3812)21-46-40  
Орел (4862)44-53-42  
Оренбург (3532)37-68-04  
Пенза (8412)22-31-16

Пермь (342)205-81-47  
Ростов-на-Дону (863)308-18-15  
Рязань (4912)46-61-64  
Самара (846)206-03-16  
Санкт-Петербург (812)309-46-40  
Саратов (845)249-38-78  
Севастополь (8692)22-31-93  
Симферополь (3652)67-13-56  
Смоленск (4812)29-41-54  
Сочи (862)225-72-31  
Ставрополь (8652)20-65-13

Сургут (3462)77-98-35  
Тверь (4822)63-31-35  
Томск (3822)98-41-53  
Тула (4872)74-02-29  
Тюмень (3452)66-21-18  
Ульяновск (8422)24-23-59  
Уфа (347)229-48-12  
Хабаровск (4212)92-98-04  
Челябинск (351)202-03-61  
Череповец (8202)49-02-64  
Ярославль (4852)69-52-93

Киргизия (996)312-96-26-47

Россия (495)268-04-70

Казахстан (772)734-952-31

[www.maha.nt-rt.ru](http://www.maha.nt-rt.ru) | | [mha@nt-rt.ru](mailto:mha@nt-rt.ru)

# Технические характеристики на ПОДЪЕМНИКИ ДВУХСТОЕЧНЫЕ КОМПАНИИ МАНА

Модели: MA STAR 6.5.

# MA STAR 6.5

## LIFTING TECHNOLOGY



## MA STAR triple safety

### VP 451190

Two Post Lift with 6500 kg load capacity

### DESCRIPTION

- 6500 kg load capacity
- Triple safety
- Symmetrical support arms
- Variable installation width
- Accommodates vehicles from small cars to vans with long wheelbase
- High-quality powder coating:
  - gentian blue, RAL 5010 (columns)
  - anthracite grey, RAL 7016 (lifting carriage, support arms)

### SCOPE OF DELIVERY

- 2 columns with control panel on operating column
- 4 symmetrical support arms, double telescopic
- Support discs with plug-in system
- Cable bridge
- Spindle oil (0.5 l)
- Operating instructions
- CE/UKCA Declaration of Conformity
- Transport packaging

### ACCESSORIES

#### COLUMN ACCESSORIES

- |           |  |
|-----------|--|
| VZ 990488 | Energy set: 1x compressed air, 2x 230 V  |
| VZ 990500 | Energy set on operating column: 1x safety compressed air, 2x 230 V                             |
| VZ 971612 | Additional control panel on opposite column  |
| VZ 990489 | Energy set on opposite column: 1x compressed air, 2x 230 V                                     |
| VZ 990501 | Energy set on opposite column: 1x safety compressed air, 2x 230 V                              |
| VZ 990504 | Energy set on operating column: 1x safety compressed air, 1x 230 V; only with VZ 990505 Beeper |
| VZ 990505 | Beeper "CE Stop", volume adjustable  |
| VZ 990503 | Power socket combination: 2x 230 V, 1x 400 V, 1x FI switch                                     |
| VZ 971591 | Holder for impact wrench and 6 sockets   |
| VZ 971592 | Document holder (1 pce)  |
| VZ 971593 | Tray for 2 support extenders, mountable to columns (1 pce)                                     |
| VZ 971224 | Tray for 2.2 support extenders, mountable to wall (2 pcs)                                      |
| VZ 990493 | LED illumination (1 pce), plug-in  |

#### SUPPORT ARM ACCESSORIES

- |           |   |
|-----------|---|
| VZ 971638 | Support arm assist by double roller spring bearing                              |
| VZ 971220 | Support disc extender 50 mm galv. (2 pcs)                                       |
| VZ 971221 | Support disc extender 100 mm galv. (2 pcs)                                      |
| VZ 971222 | Support disc extender 150 mm galv. (2 pcs)                                      |
| VZ 971223 | Support disc extender 200 mm galv. (2 pcs)                                      |
| VZ 971573 | Support disc extender 130 mm galv. (2 pcs)                                      |
| VZ 975050 | Non-skid device for vehicles with longitudinal frame up to 100 mm width (2 pcs) |

## ACCESSORIES

|           |   |
|-----------|---|
| VZ 971111 | Lashing straps as tilt protection for gearbox removal (2 pcs) |
| VZ 971226 | Prism support for MB Sprinter/VW Crafter (2 pcs)              |
| VZ 975601 | Support arbor (2 pcs) for MB Sprinter/VW Crafter              |
| VZ 971539 | Stainless steel tray for small parts, magnetic (2 pcs)        |
| VZ 971461 | Wheel engaging support, load capacity 1000 kg each (4 pcs)    |

### SAFETY DEVICE ACCESSORIES

|           |   |
|-----------|---|
| VZ 971104 | Light barrier to prevent contact with ceiling |
|-----------|---|

### OTHER ACCESSORIES

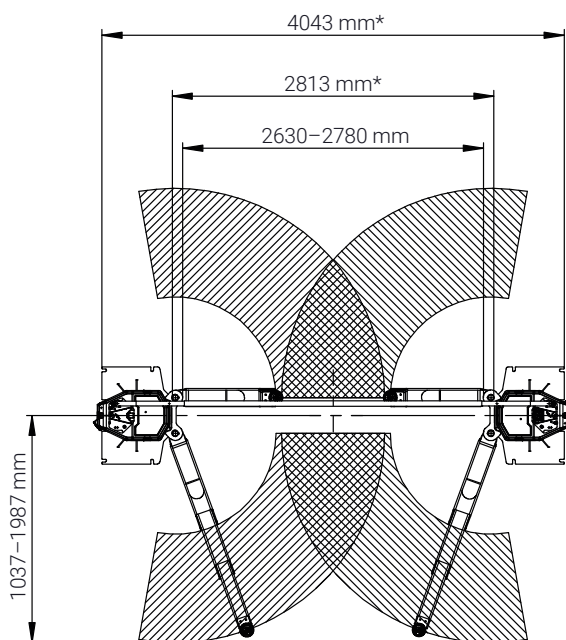
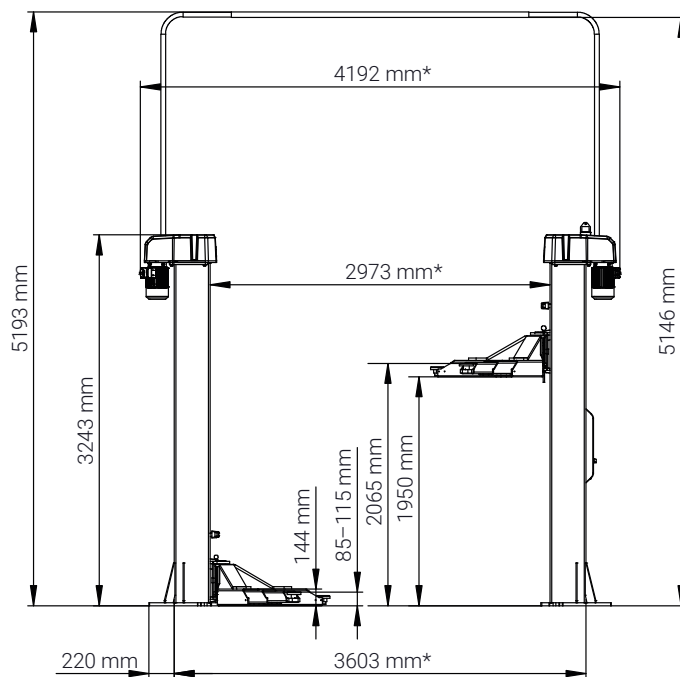
|           |  |
|-----------|--|
| VZ 971639 | Drilling template MA STAR 6.5                |
| VZ 971611 | CEE coupler 32A for on-site cable connection |
| VZ 990490 | Connection socket for in-ground wiring       |
| VZ 995431 | Special painting                             |

### ADDITIONAL SERVICES

|           |  |
|-----------|--|
| VT 995023 | Transport Two post lift up to 6500 kg load capacity                              |
| VM 995040 | Installation costs Two post lift, electromechanical, up to 6500 kg load capacity |
| VM 996232 | Installation costs Energy set  |
| VM 996233 | Installation costs Additional control panel on opposite column                   |
| VM 996072 | Installation costs Ceiling light barrier   |
| VM 999085 | Installation material Injection system MA STAR 6.5                               |
| VM 999081 | Injection mortar cartridge 500 ml (1 pce)  |

## TECHNICAL DATA

|  |                      |
|--|----------------------|
| Load capacity CE                                     | 6500 kg              |
| Lifting height max.                                  | 2065 mm              |
| Lifting/lowering time (load-dependent) approx.       | 44/44 s              |
| Bottom clearance of complete support arm             | 144 mm               |
| Adjustment range of support disc                     | 85 - 115 mm          |
| Pick-up range of support arms                        | 1037 - 1987 mm       |
| Overall width*                                       | 4192 mm              |
| Outside base plates*                                 | 4043 mm              |
| Outside columns*                                     | 3603 mm              |
| Inside columns*                                      | 2973 mm              |
| Drive-through width                                  | 2630 - 2780 mm       |
| Column height  | 3243 mm              |
| Overall height max. (with cable bridge)              | 5193 mm              |
| Drive power  | 2 x 4.0 kW           |
| Power supply   | 3/N/PE 400 V 50 Hz   |
| Fuse   | C32 A                |
| Weight   | 1520 kg              |
| Packaging dimensions (L x W x H)                     |                      |
| 2 Packages, each with                                | 3185 x 800 x 1100 mm |
| Required concrete quality                            | C 20/25              |
| Required concrete slab thickness without screed min. | 220 mm               |



\*Dimensions refer to drive-through width of 2630 mm

Архангельск (8182)63-90-72  
Астана (7172)727-132  
Астрахань (8512)99-46-04  
Барнаул (3852)73-04-60  
Белгород (4722)40-23-64  
Брянск (4832)59-03-52  
Владивосток (423)249-28-31  
Волгоград (844)278-03-48  
Вологда (8172)26-41-59  
Воронеж (473)204-51-73  
Екатеринбург (343)384-55-89  
Иваново (4932)77-34-06

Ижевск (3412)26-03-58  
Иркутск (395)279-98-46  
Казань (843)206-01-48  
Калининград (4012)72-03-81  
Калуга (4842)92-23-67  
Кемерово (3842)65-04-62  
Киров (8332)68-02-04  
Краснодар (861)203-40-90  
Красноярск (391)204-63-61  
Курск (4712)77-13-04  
Липецк (4742)52-20-81

Киргизия (996)312-96-26-47

Магнитогорск (3519)55-03-13  
Москва (495)268-04-70  
Мурманск (8152)59-64-93  
Набережные Челны (8552)20-53-41  
Нижний Новгород (831)429-08-12  
Новокузнецк (3843)20-46-81  
Новосибирск (383)227-86-73  
Омск (3812)21-46-40  
Орел (4862)44-53-42  
Оренбург (3532)37-68-04  
Пенза (8412)22-31-16

Россия (495)268-04-70

Пермь (342)205-81-47  
Ростов-на-Дону (863)308-18-15  
Рязань (4912)46-61-64  
Самара (846)206-03-16  
Санкт-Петербург (812)309-46-40  
Саратов (845)249-38-78  
Севастополь (8692)22-31-93  
Симферополь (3652)67-13-56  
Смоленск (4812)29-41-54  
Сочи (862)225-72-31  
Ставрополь (8652)20-65-13

Казахстан (772)734-952-31

Сургут (3462)77-98-35  
Тверь (4822)63-31-35  
Томск (3822)98-41-53  
Тула (4872)74-02-29  
Тюмень (3452)66-21-18  
Ульяновск (8422)24-23-59  
Уфа (347)229-48-12  
Хабаровск (4212)92-98-04  
Челябинск (351)202-03-61  
Череповец (8202)49-02-64  
Ярославль (4852)69-52-93

[www.maha.nt-rt.ru](http://www.maha.nt-rt.ru) | | [mha@nt-rt.ru](mailto:mha@nt-rt.ru)